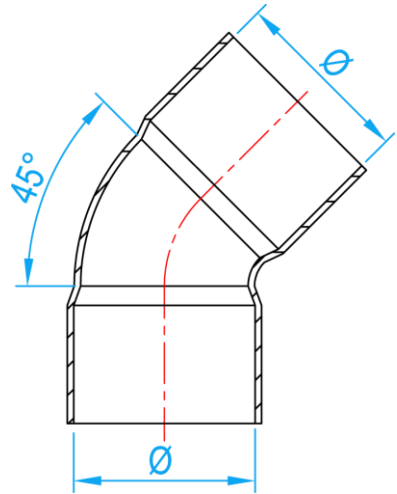
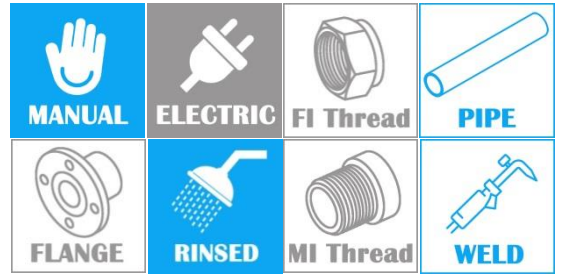


CAPILLARY FITTING

45° ELBOW

COMPLY WITH BSEN1254-1:1998



CROSS SECTIONAL VIEW

COMPONENTS PARTS

| PARTS | MATERIAL |
|-------|----------|
| ELBOW | COPPER |

DIMENSIONS

| SKU | DN Ø (mm) | WEIGHT (Kg) | PCS/CTN |
|-----------|--------------|----------------|---------|
| MBLE45015 | 15 | 0.014 | 1250 |
| MBLE45020 | 22 | 0.025 | 500 |
| MBLE45025 | 28 | 0.039 | 250 |
| MBLE45035 | 35 | 0.076 | 150 |
| MBLE45042 | 42 | 0.115 | 85 |
| MBLE45050 | 54 | 0.184 | 44 |
| MBLE45065 | 67 | 0.309 | 25 |
| MBLE45080 | 76 | 0.393 | 20 |
| MBLE45100 | 108 | 1.130 | 8 |
| MBLE45150 | 159 | 2.600 | 2 |